

Standard Tubular Back-to-Back Handles

3/4" (19 mm) Diameter Without Style Washers



Product Code
H-6BTB

Product Code
H-8BTB

- Designed for 3/16" to 1/2" (5 to 12 mm) Glass
- 300 Series Stainless Steel Shoulder Bolts and Allen Set Screws
- Includes Allen Wrenches for Installation
- Requires 3/8" or 1/2" (10 or 12 mm) Diameter Holes for Installation
- Heavy Wall Tubular Brass/Stainless Steel Construction
- Available in 6" and 8" (152 and 203 mm) Center-to-Center Sizes

AVAILABLE IN ALL FINISHES, See Page 3



Standard Tubular Back-to-Back Handles

3/4" (19 mm) Diameter With 1" (25 mm) Style Washers



Product Code
H-6BTBSW

- Designed for 3/16" to 1/2" (5 to 12 mm) Glass
- 300 Series Stainless Steel Shoulder Bolts and Allen Set Screws
- Includes Allen Wrenches for Installation
- Requires 3/8" or 1/2" (10 or 12 mm) Diameter Holes for Installation
- Heavy Wall Tubular Brass/Stainless Steel Construction
- Available in 6" and 8" (152 and 203 mm) Center-to-Center Sizes

AVAILABLE IN ALL FINISHES, See Page 3



Product Code
H-8BTBSW

Standard Tubular Back-to-Back Handles

1" (25 mm) Diameter Without Style Washers

- Designed for 3/16" to 1/2" (5 to 12 mm) Glass
- 300 Series Stainless Steel Installation Hardware
- Includes Allen Wrenches for Installation
- Requires 3/8" or 1/2" (10 or 12 mm) Diameter Holes for Installation
- Heavy Wall Tubular Brass/Stainless Steel Construction
- Available in 6" and 8" (152 and 203 mm) Center-to-Center Sizes

AVAILABLE IN ALL FINISHES, See Page 3



Product Code
H-8X1BTB

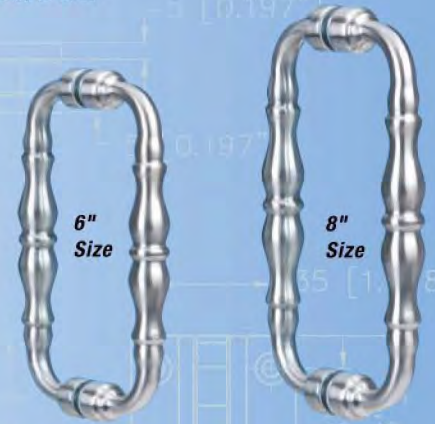
Note: Complete the above product codes by adding the desired finish code to the end.

Traditional Series Solid Back-to-Back Handles

Solid Brass Ornate Thru-Glass Handles

- Designed for 3/16" to 1/2" (5 to 12 mm) Glass
- 300 Series Stainless Steel Installation Hardware
- Includes Allen Wrenches for Installation
- Requires 3/8" or 1/2" (10 or 12 mm) Diameter Holes for Installation
- Solid Brass Construction
- Available in 6" and 8" (152 and 203 mm) Center-to-Center Sizes

AVAILABLE IN ALL FINISHES, See Page 3



Product Code
HT-6BTB

Product Code
HT-8BTB

Standard Tubular Single Mount Handles

3/4" (19 mm) Diameter with 1" (25 mm) Style Washers

- Designed for 3/16" to 1/2" (5 to 12 mm) Glass
- Requires 3/8" or 1/2" (10 or 12 mm) Diameter Holes for Installation
- Heavy Wall Tubular Brass/Stainless Steel Construction
- Available in 6" and 8" (152 and 203 mm) Center-to-Center Sizes

AVAILABLE IN ALL FINISHES, See Page 3



Product Code
H-6SMSW

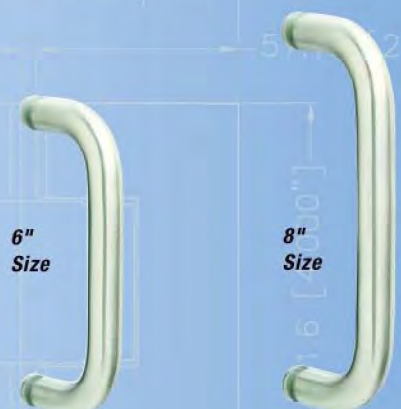
Product Code
H-8SMSW

Standard Tubular Single Mount Handles

3/4" (19 mm) Diameter without Style Washers

- Designed for 3/16" to 1/2" (5 to 12 mm) Glass
- Requires 3/8" or 1/2" (10 or 12 mm) Diameter Holes for Installation
- Heavy Wall Tubular Brass/Stainless Steel Construction
- Available in 6" and 8" (152 and 203 mm) Center-to-Center Sizes

AVAILABLE IN ALL FINISHES, See Page 3



Product Code
H-6SM

Product Code
H-8SM

Note: Complete the above product codes by adding the desired finish code to the end.

Deluxe Solid Brass Back-to-Back Handles

NEW!



With Metal Style Washers



Without Metal Style Washers

3/4" (19 mm) Diameter with or without Style Washers
1" (25 mm) Diameter without Style Washers

- Designed for 1/4" to 1/2" (6 to 12 mm) Glass
- Stainless Steel Installation Hardware
- Includes Allen Wrench for Installation
- 3/4" (19 mm) Diameter Handle Requires 3/8" or 1/2" (10 or 12 mm) Holes for Installation
- 1" (25 mm) Diameter Handle Requires 5/8" (16 mm) Holes for Installation
- 3/4" Available in 6" and 8" (152 and 203 mm) Center-to-Center Sizes
- 1" (25 mm) Diameter Handle Available in 8" (203 mm) Size Only
- Constructed of Solid Brass Material

3/4" (19 MM) DIAMETER HANDLES

Product Code	Size (CTC)
HD-6BTBSW	6" (152 mm) With 1-1/4" (32 mm) Style Washers
HD-6BTB	6" (152 mm) Without Style Washers
HD-8BTBSW	8" (203 mm) With 1-1/4" (32 mm) Style Washers
HD-8BTB	8" (203 mm) Without Style Washers

1" (25 MM) DIAMETER HANDLES

Product Code	Size (CTC)
HD-8X1BTB	8" (203 mm) Without Style Washers

AVAILABLE IN ALL FINISHES, See Page 3

Antique Style Back-to-Back Handles

NEW!



6" Size

Product Code
HX-6BTB

3/4" (19 mm) Diameter without Style Washers

- Designed for 1/4" to 1/2" (6 to 12 mm) Glass
- Stainless Steel Installation Hardware
- Includes Allen Wrench for Installation
- Requires 1/2" (12 mm) Diameter Holes for Installation
- Available in 6" and 8" (152 and 203 mm) Center-to-Center Sizes
- Constructed of Tubular Brass Material

AVAILABLE IN ALL FINISHES, See Page 3



8" Size

Product Code
HX-8BTB

Ergonomic Style Back-to-Back Handles

NEW!



6" Size

Product Code
HY-6BTB

Contoured Profile with a Strong Appearance

- Designed for 3/8" to 1/2" (10 to 12 mm) Glass
- Stainless Steel Installation Hardware
- Includes Allen Wrench for Installation
- 6" (152 mm) Size Requires 1/2" (12 mm) Holes for Installation
- 10" (254 mm) Size Requires 5/8" (16 mm) Holes for Installation
- Constructed of Solid Brass Material

AVAILABLE IN ALL FINISHES, See Page 3



10" Size

Product Code
HY-10BTB

Note: Complete the above product codes by adding the desired finish code to the end.

"H" Style Back-to-Back Handles

NEW!

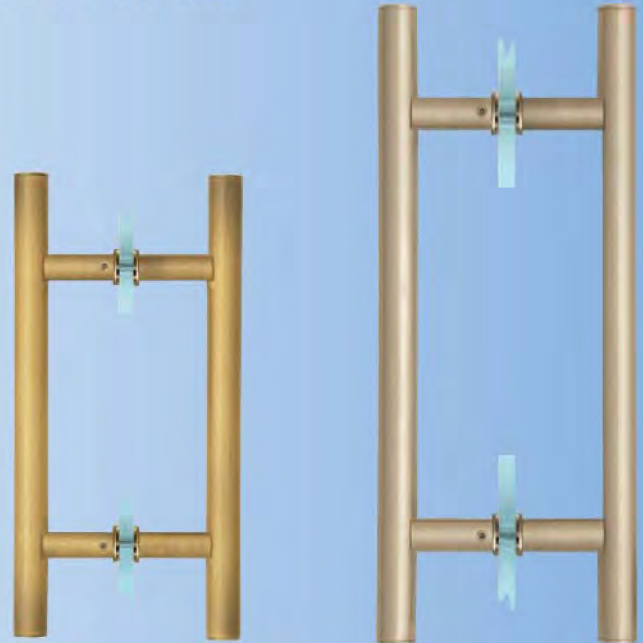
Slim 3/4" (19 mm) Diameter Tubing in 6" and 8" (152 and 203 mm) Center-to-Center Sizes

Heavy 1-1/4" (32 mm) Diameter Tubing in Longer Center-to-Center Sizes

- Designed for 3/8" to 1/2" (10 to 12 mm) Glass
- Stainless Steel Installation Hardware
- Includes Allen Wrench for Installation
- 6" and 8" (152 and 203 mm) Center-to-Center Sizes Requires 1/2" (12 mm) Diameter Holes for Installation
- 12", 24", and 36" (305, 610, and 914 mm) Center-to-Center Sizes Requires 5/8" (16 mm) Diameter Holes in Glass
- Heavy Wall Tubular Brass/Stainless Steel Construction

AVAILABLE IN ALL FINISHES, See Page 3

Product Code	Size (CTC)	Size (Overall)	Diameter
HL-6BTB	6" (152 mm)	10" (254 mm)	3/4" (19 mm)
HL-8BTB	8" (203 mm)	12" (305 mm)	3/4" (19 mm)
HL-12BTB	12" (305 mm)	24" (610 mm)	1-1/4" (32 mm)
HL-24BTB	24" (610 mm)	36" (914 mm)	1-1/4" (32 mm)
HL-36BTB	36" (914 mm)	48" (1219 mm)	1-1/4" (32 mm)



Arch Style Back-to-Back Handles

NEW!

3/4" (19 mm) Diameter Without Style Washers

- Designed for 1/4" to 1/2" (6 to 12 mm) Glass
- Stainless Steel Installation Hardware
- Includes Allen Wrench for Installation
- Requires 1/2" (12 mm) Diameter Holes for Installation
- Heavy Wall Tubular Brass/Stainless Steel Construction
- Available in 6" and 8" (152 and 203 mm) Center-to-Center Sizes

AVAILABLE IN ALL FINISHES, See Page 3



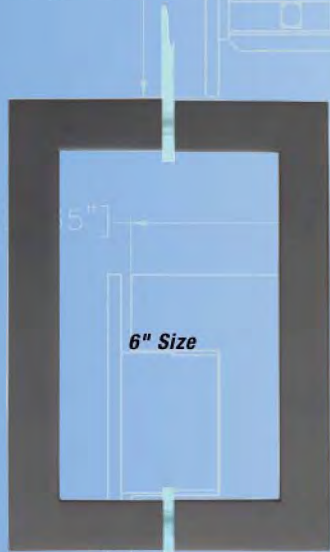
Product Code
HR-6BTB

Product Code
HR-8BTB

Note: Complete the above product codes by adding the desired finish code to the end.

Square Style Back-to-Back Handles

NEW!



3/4" (19 mm) Diameter without Style Washers

- Designed for 1/4" to 1/2" (6 to 12 mm) Glass
- Constructed of 3/4" (19 mm) Diameter Square Tubing
- Stainless Steel Installation Hardware
- Includes Allen Wrench for Installation
- Requires 1/2" (12 mm) Diameter Holes for Installation
- Available in 6" and 8" (152 and 203 mm) Center-to-Center Sizes

AVAILABLE IN ALL FINISHES, See Page 3

Product Code
HS-6BTB

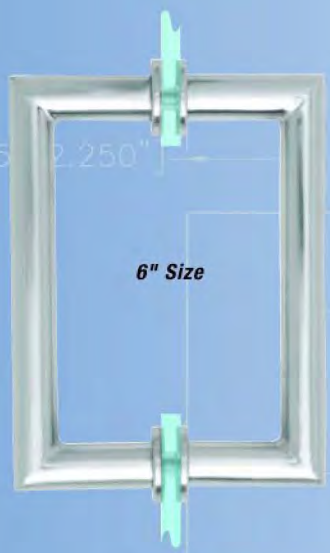


8" Size

Product Code
HS-8BTB

Mitered Style Back-to-Back Handles

NEW!



3/4" (19 mm) Diameter with Style Washers

- Designed for 1/4" to 1/2" (6 to 12 mm) Glass
- Constructed of 3/4" (19 mm) Diameter Round Tubing with Mitered Corners
- Stainless Steel Installation Hardware
- Includes Allen Wrench for Installation
- Requires 1/2" (12 mm) Diameter Holes for Installation
- Available in 6" and 8" (152 and 203 mm) Center-to-Center Sizes

AVAILABLE IN ALL FINISHES, See Page 3

Product Code
HM-6BTB



8" Size

Product Code
HM-8BTB

Note: Complete the above product codes by adding the desired finish code to the end.



Shower Door Towel Bar/ Handle Combos

**3/4" (19 mm) Diameter Thru-Glass
Towel Bar/Handle Combo**

Available with or without Style Washers

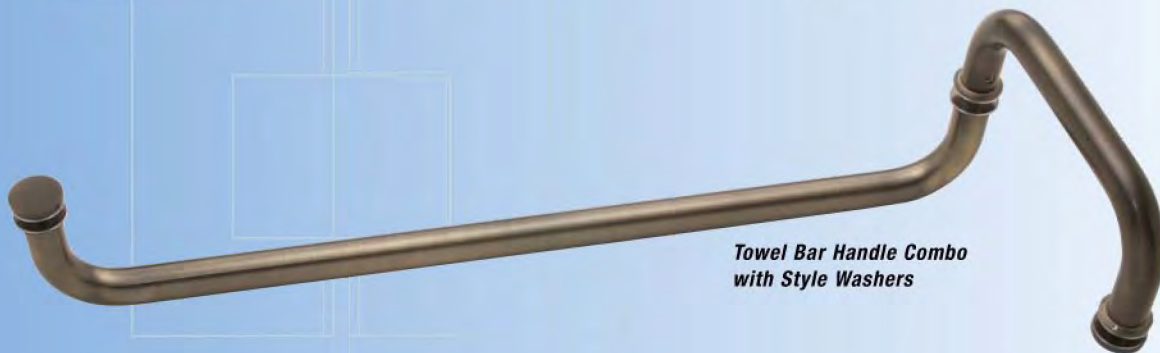
- Designed for 3/16" to 1/2" (5 to 12 mm) Glass
- Requires 3/8" or 1/2" (10 or 12 mm) Diameter Holes for Installation
- Available in 12", 14", 16", 18", 20", 22", 24", 26", 27", 28" and 30" (305, 355, 406, 457, 508, 559, 610, 660, 686, 711 and 762 mm) Center-to-Center Towel Bar Lengths with 6" or 8" (152 or 203 mm) Handle

AVAILABLE IN ALL FINISHES, See Page 3

Product Code 6" Handle No Style Washers	Product Code 6" Handle with 1" Style Washers	Product Code 8" Handle No Style Washers	Product Code 8" Handle with 1" Style Washers	Towel Bar Size (CTC)
TB-612C	TB-612CSW	TB-812C	TB-812CSW	12" (305 mm)
TB-614C	TB-614CSW	TB-814C	TB-814CSW	14" (355 mm)
TB-616C	TB-616CSW	TB-816C	TB-816CSW	16" (406 mm)
TB-618C	TB-618CSW	TB-818C	TB-818CSW	18" (457 mm)
TB-620C	TB-620CSW	TB-820C	TB-820CSW	20" (508 mm)
TB-622C	TB-622CSW	TB-822C	TB-822CSW	22" (559 mm)
TB-624C	TB-624CSW	TB-824C	TB-824CSW	24" (610 mm)
TB-626C	TB-626CSW	TB-826C	TB-826CSW	26" (660 mm)
TB-627C	TB-627CSW	TB-827C	TB-827CSW	27" (686 mm)
TB-628C	TB-628CSW	TB-828C	TB-828CSW	28" (711 mm)
TB-630C	TB-630CSW	TB-830C	TB-830CSW	30" (762 mm)



*Towel Bar Handle Combo
without Style Washers*



*Towel Bar Handle Combo
with Style Washers*

Note: Complete the above product codes by adding the desired finish code to the end.

Single Mount Tubular Towel Bars

3/4" (19 mm) Diameter Thru-Glass Towel Bars Available with or without Style Washers

- Designed for 3/16" to 1/2" (5 to 12 mm) Glass
- Requires 3/8" or 1/2" (10 or 12 mm) Diameter Holes for Installation
- Available in 12", 14", 16", 18", 20", 22", 24", 26", 27", 28" and 30" (305, 355, 406, 457, 508, 559, 610, 660, 686, 711 and 762 mm) Center-to-Center Lengths



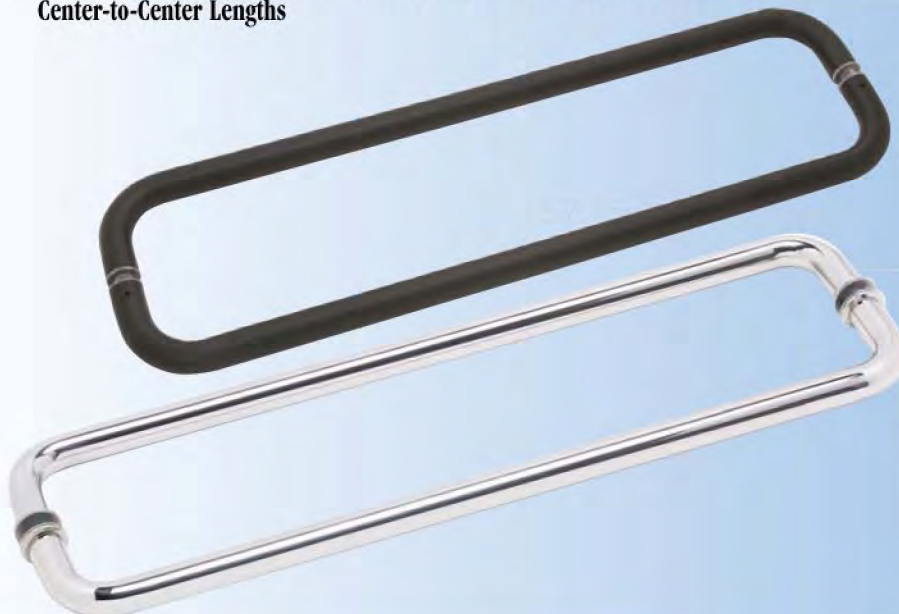
Product Code Single Mount No Style Washers	Product Code Single Mount w/ 1" Style Washers	Size (CTC)
TB-12SM	TB-12SMSW	12" (305 mm)
TB-14SM	TB-14SMSW	14" (355 mm)
TB-16SM	TB-16SMSW	16" (406 mm)
TB-18SM	TB-18SMSW	18" (457 mm)
TB-20SM	TB-20SMSW	20" (508 mm)
TB-22SM	TB-22SMSW	22" (559 mm)
TB-24SM	TB-24SMSW	24" (610 mm)
TB-26SM	TB-26SMSW	26" (660 mm)
TB-27SM	TB-27SMSW	27" (686 mm)
TB-28SM	TB-28SMSW	28" (711 mm)
TB-30SM	TB-30SMSW	30" (762 mm)

AVAILABLE IN ALL FINISHES, See Page 3

Back-to-Back Tubular Towel Bars

3/4" (19 mm) Diameter Thru-Glass Towel Bars Available with or without Style Washers

- Designed for 3/16" to 1/2" (5 to 12 mm) Glass
- Requires 3/8" or 1/2" (10 or 12 mm) Diameter Holes for Installation
- Available in 12", 18", 20", 22" and 24" (305, 457, 508, 559 and 610 mm) Center-to-Center Lengths



Back-to-Back Towel Bar
without Style Washers

Back-to-Back Towel Bar
with Style Washers

Product Code Back-to-Back No Style Washers	Product Code Back-to-Back w/ 1" Style Washers	Size (CTC)
TB-12BTB	TB-12BTBSW	12" (305 mm)
TB-18BTB	TB-18BTBSW	18" (457 mm)
TB-20BTB	TB-20BTBSW	20" (508 mm)
TB-22BTB	TB-22BTBSW	22" (559 mm)
TB-24BTB	TB-24BTBSW	24" (610 mm)

AVAILABLE IN ALL FINISHES, See Page 3

Note: Complete the above product codes by adding the desired finish code to the end.

Traditional Series Single Mount Towel Bars

- Solid Brass Elbows with a 1" (25 mm) Diameter Tubular Center Section
- Designed for 3/16" to 1/2" (5 to 12 mm) Glass
- Requires 3/8" or 1/2" (10 or 12 mm) Diameter Holes for Installation
- Available in 18", 24" and 27" (457, 610 and 686 mm) Center-to-Center Lengths



PRODUCT CODE	SIZE (CTC)
TBT-18SM	18" (457 mm)
TBT-24SM	24" (610 mm)
TBT-27SM	27" (686 mm)

AVAILABLE IN ALL FINISHES, See Page 3

Traditional Series Back-to-Back Towel Bars

- Solid Brass Elbows with a 1" (25 mm) Diameter Tubular Center Section
- Designed for 3/16" to 1/2" (5 to 12 mm) Glass
- Requires 3/8" or 1/2" (10 or 12 mm) Diameter Holes for Installation
- Available in 18" and 24" (457 and 610 mm) Center-to-Center Lengths



PRODUCT CODE	SIZE (CTC)
TBT-18BTB	18" (457 mm)
TBT-24BTB	24" (610 mm)

AVAILABLE IN ALL FINISHES, See Page 3

Traditional Series Towel Bar/Handle Combos

- Solid Brass Elbows with a 1" (25 mm) Diameter Tubular Center Section
- Designed for 3/16" to 1/2" (5 to 12 mm) Glass
- Requires 3/8" or 1/2" (10 or 12 mm) Diameter Holes for Installation
- Available in 18", 24" and 27" (457, 610 and 686 mm) Center-to-Center Towel Bar Lengths with an 8" (203 mm) Solid Brass Handle



PRODUCT CODE	HANDLE SIZE (CTC)	TOWEL BAR SIZE (CTC)
TBT-818C	8" (203 mm)	18" (457 mm)
TBT-824C	8" (203 mm)	24" (610 mm)
TBT-827C	8" (203 mm)	27" (686 mm)

AVAILABLE IN ALL FINISHES, See Page 3

Note: Complete the above product codes by adding the desired finish code to the end.