

## Shower Door Polycarbonates and Seals

Clear Polycarbonate and Translucent Vinyl Seals Designed to Help Minimize Leakage without Detracting from the "All-Glass" Frameless Look

- Designed for 1/4", 5/16", 3/8" and 1/2" (6, 8, 10 and 12 mm) Glass
- Available in 98" (2.49 m) Stock Lengths



## Profile Set

- Includes 6" (152 mm) Pieces of All Profiles
- Allows Customer to View Application Possibilities

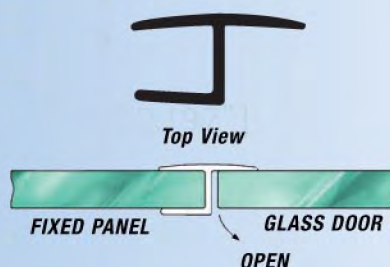


Product Code  
PS-6

## 180° Polycarbonate "h" Strike Jamb

This clear Polycarbonate "h" Strike Jamb is an excellent choice to seal between the door and the fixed panel on a 180° in-line application. Attach to the fixed panel on the strike side. 98" (2.49 m) stock length.

**Note:** For best results, use 5° positive closure hinges to maintain constant pressure against the jamb. Secure jamb with Crystal Clear Two-Way Acrylic Tape (See page 85).

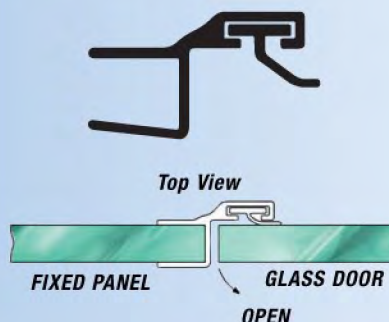


Product Code	Glass Thickness
PHJ-14	1/4" (6 mm)
PHJ-516	5/16" (8 mm)
PHJ-38	3/8" (10 mm)
PHJ-12	1/2" (12 mm)

## 180° Polycarbonate Strike Jamb

Snap this clear Polycarbonate 180° Strike Jamb onto the fixed panel for an excellent seal on a 180° glass-to-glass application. 98" (2.49 m) stock length.

**Note:** For best results, use 5° positive closure hinges to maintain constant pressure against the jamb. Secure jamb with Crystal Clear Two-Way Acrylic Tape (See page 85).

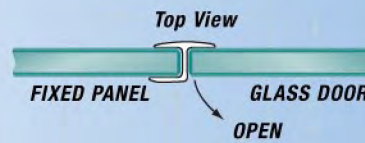


Product Code	Glass Thickness
P180SJ-14	1/4" (6 mm)
P180SJ-38	3/8" (10 mm)
P180SJ-12	1/2" (12 mm)

## 180° "h" Jamb With Soft Leg

This Seal is used on 180 degree inline glass-to-glass applications. The "U" portion is rigid, and the single leg is soft to cushion the closing. Snaps onto fixed panel inline with the door. 98" (2.49 m) stock length.

Product Code	Glass Thickness
PHJS-516	5/16" (8 mm)
PHJS-38	3/8" (10 mm)
PHJS-12	1/2" (12 mm)

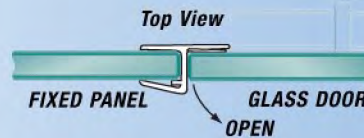


## 180° "h" Jamb With Cushion Fin

This clear 180 Degree "h" Jamb is for use on inline glass-to-glass installations. Snaps onto the fixed panel with the lip on the strike side. Soft vinyl helps cushion door closure and reduce noise. 98" (2.49 m) stock length.

**Note:** For best results, use 5° positive closure hinges to maintain constant pressure against the jamb.

Product Code	Glass Thickness
PHJC-516	5/16" (8 mm)

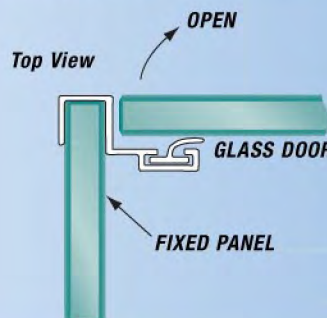


## 90° Polycarbonate Strike Jamb

This clear Polycarbonate was designed to seal between the door and the fixed panel on a 90° enclosure. Attach to the fixed panel on the strike side. 98" (2.49 m) stock length.

**Note:** For best results, use 5° positive closure hinges to maintain constant pressure against the jamb.

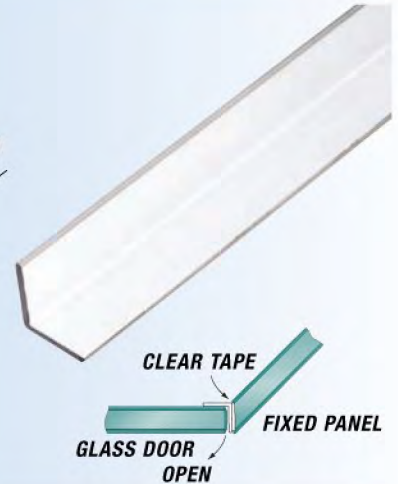
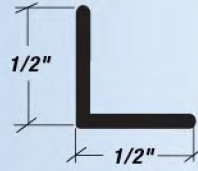
Product Code	Glass Thickness
P90SJ-38	3/8" (10 mm)



## Polycarbonate "L" Angle Jamb

Use this clear Polycarbonate "L" Angle as a strike or as a jamb to seal between the door and the fixed panel or wall. 98" (2.49 m) stock length.

**Note:** For best results, use 5° positive closure hinges to maintain constant pressure when being used as a strike. Attach with Crystal Clear Two-Way Tape (See page 85)



Product Code	Glass Thickness
PLA-12	1/4" to 1/2" (6 to 12 mm)



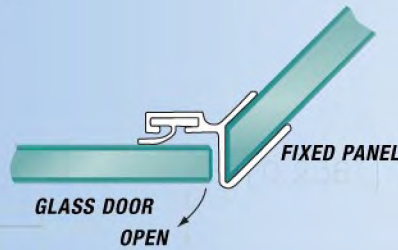
## 135° Polycarbonate Strike Jamb

Designed to seal between the door and the fixed panel on a 135° neo-angle enclosure. Attach to the mitered fixed panel on the strike side. 98" (2.49 m) stock length.

**Note:** For best results, use 5° positive closure hinges to maintain constant pressure against the jamb.



Product Code	Glass Thickness
P135SJ-38	3/8" (10 mm)

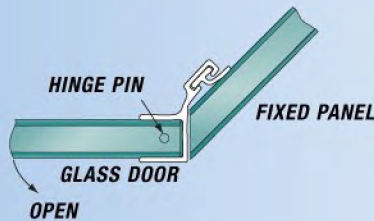


## 135° Polycarbonate Door Jamb

Use this clear Polycarbonate to seal between the door and the fixed panel on a 135° neo-angle enclosure. Attach to the door on the hinge side. 98" (2.49 m) stock length.



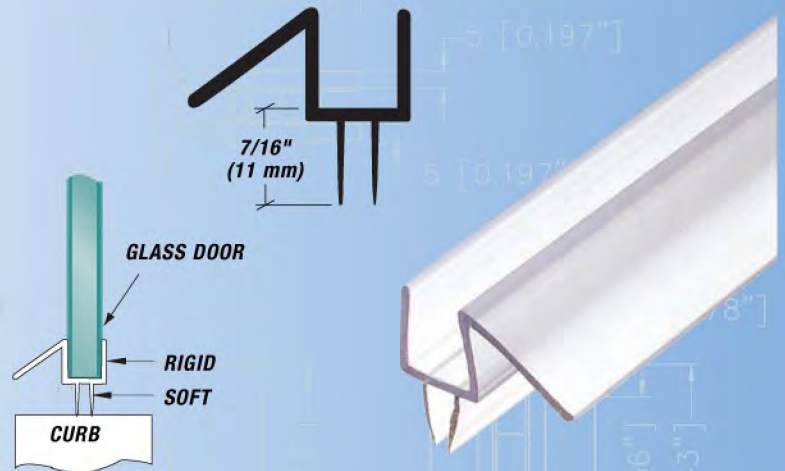
Product Code	Glass Thickness
P135DJ-38	3/8" (10 mm)



## Drip Rail With Dual Wipe (Dual Durometer)

Snap this Drip Rail with Dual Wipe onto the bottom of the door. The 45° deflector will assist in keeping water in the shower. May also be used on the top of the door in steam applications. 98" (2.49 m) stock length.

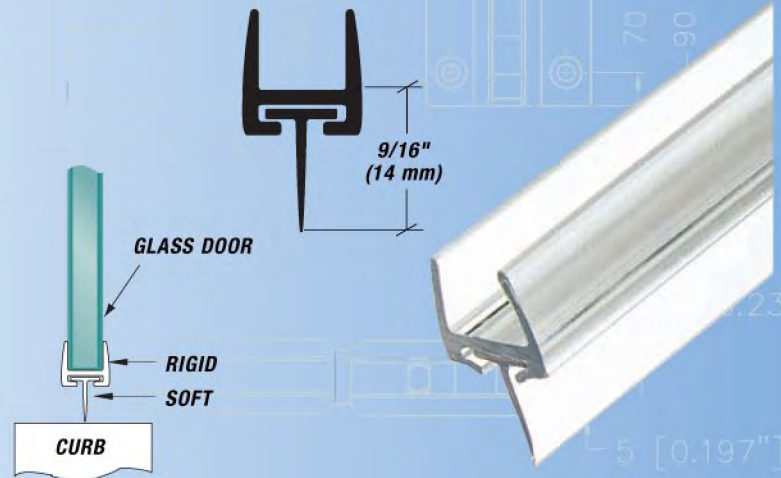
Product Code	Glass Thickness
PDR-14	1/4" (6 mm)
PDR-516	5/16" (8 mm)
PDR-38	3/8" (10 mm)
PDR-12	1/2" (12 mm)



## Polycarbonate Bottom Rail With T-Wipe

Snap this Clear Polycarbonate Bottom Wipe onto the bottom of the door to create a tight seal. May also be used on top of the door for a seal in a steam enclosure. 98" (2.49 m) stock length.

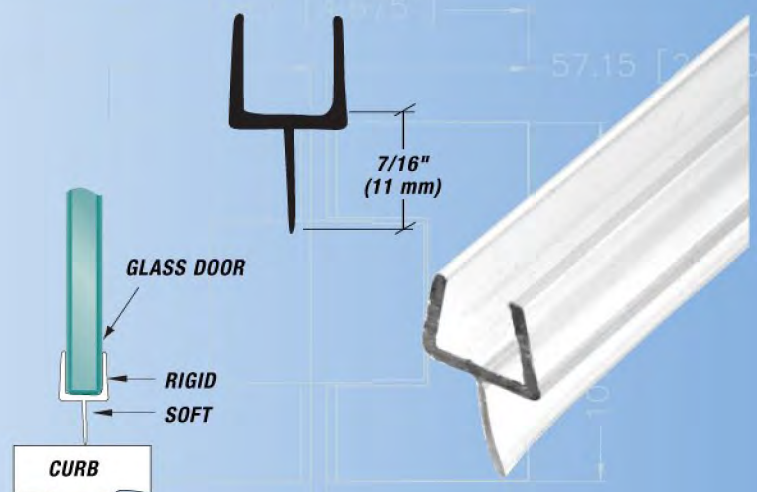
Product Code	Glass Thickness
PBR-516	5/16" (8 mm)
PBR-38	3/8" (10 mm)
PBR-12	1/2" (12 mm)



## One-Piece Bottom Rail With Integrated Wipe

This ultra clear One-Piece Bottom Rail is snapped on the bottom of the door to achieve a seal. Because it is a single piece sweep, it means the vinyl seal that hangs down from the sweep will firmly direct the water back into the shower enclosure. 98" (2.49 m) stock length.

Product Code	Glass Thickness
PBRI-38	3/8" (10 mm)
PBRI-12	1/2" (12 mm)

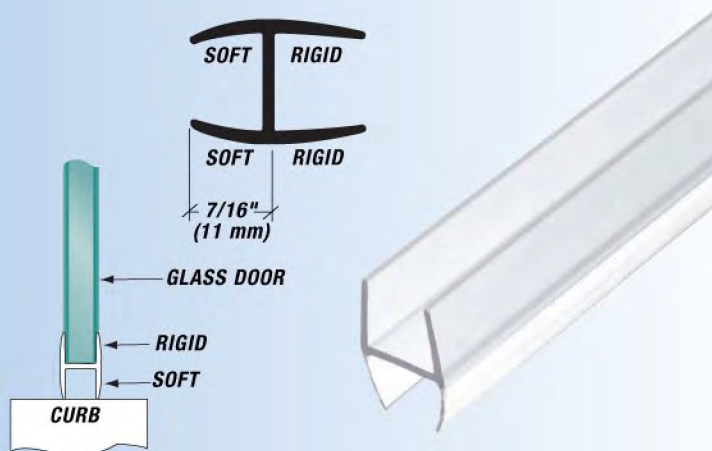


# SHORIZON

## "H" Wipe (Dual Durometer)

This multi-purpose clear "H" Wipe can be used in numerous applications; as a bottom sweep, a top seal on the door in a steam enclosure, or as a vertical seal on the door or fixed panel. 98" (2.49 m) stock length.

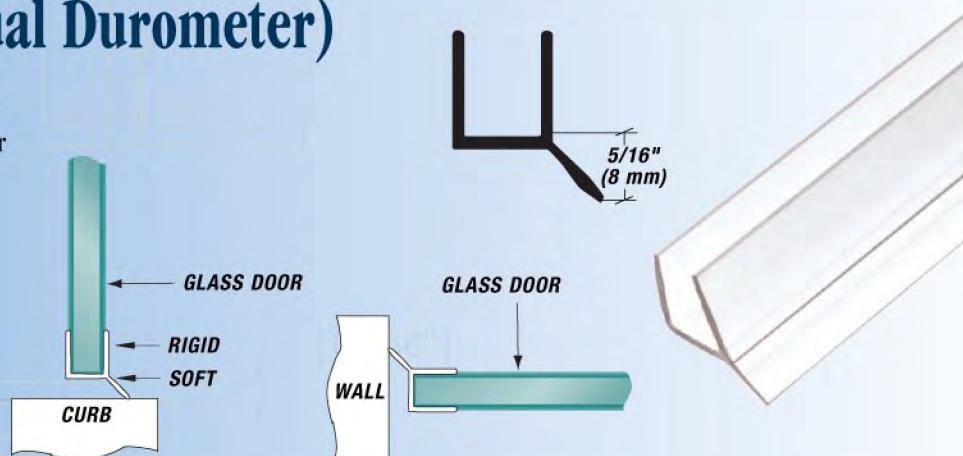
Product Code	Glass Thickness
HW-14	1/4" (6 mm)
HW-516	5/16" (8 mm)
HW-38	3/8" (10 mm)
HW-12	1/2" (12 mm)



## Seal and Wipe (Dual Durometer)

Use this clear PVC Seal and Wipe between the door and the wall on the hinge side or on the bottom of the door as a wipe. 98" (2.49 m) stock length.

Product Code	Glass Thickness
PSW-14	1/4" (6 mm)
PSW-516	5/16" (8 mm)
PSW-38	3/8" (10 mm)
PSW-12	1/2" (12 mm)



## "L" Seal (Dual Durometer)

Translucent "L" Seals are offered in two sizes. They should be used on outswing doors only, and can be used on both hinge and strike side jambs. LS2 has a slightly softer and shorter sealing leg than LS. Use our Clear Two-Way Tape (See page 85) to apply the rigid leg on the "L" Seal to the surface. The soft leg of the "L" will act as a seal, allowing for quiet, cushioned door closure. 98" (2.49 m) stock lengths.

Product Code	Glass Thickness
LS	N/A
LS2	N/A

